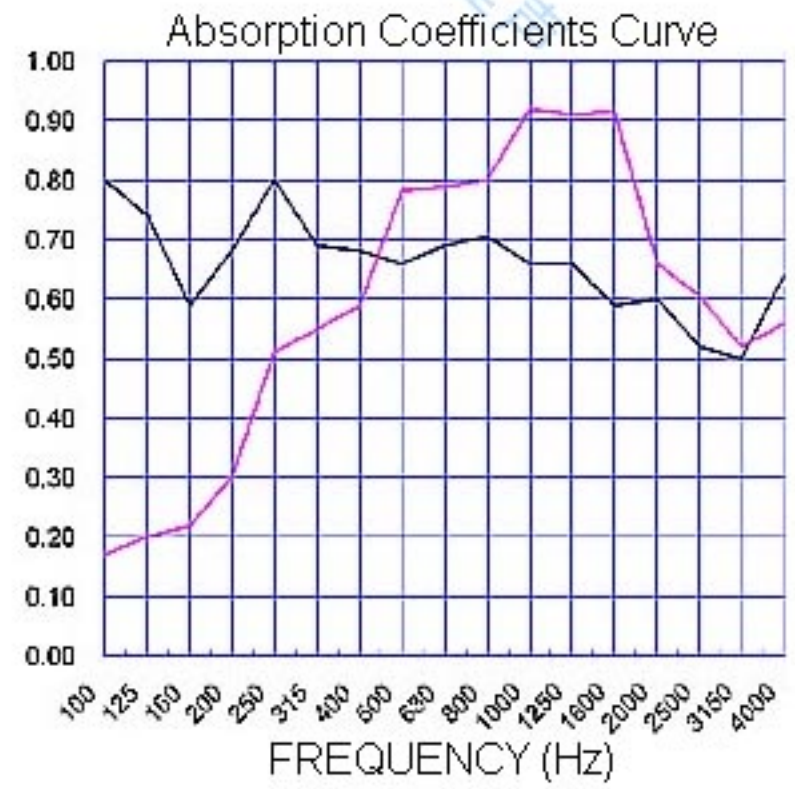
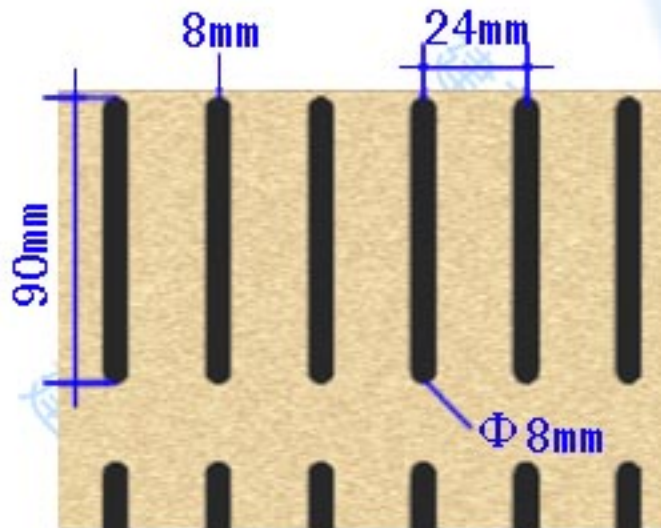
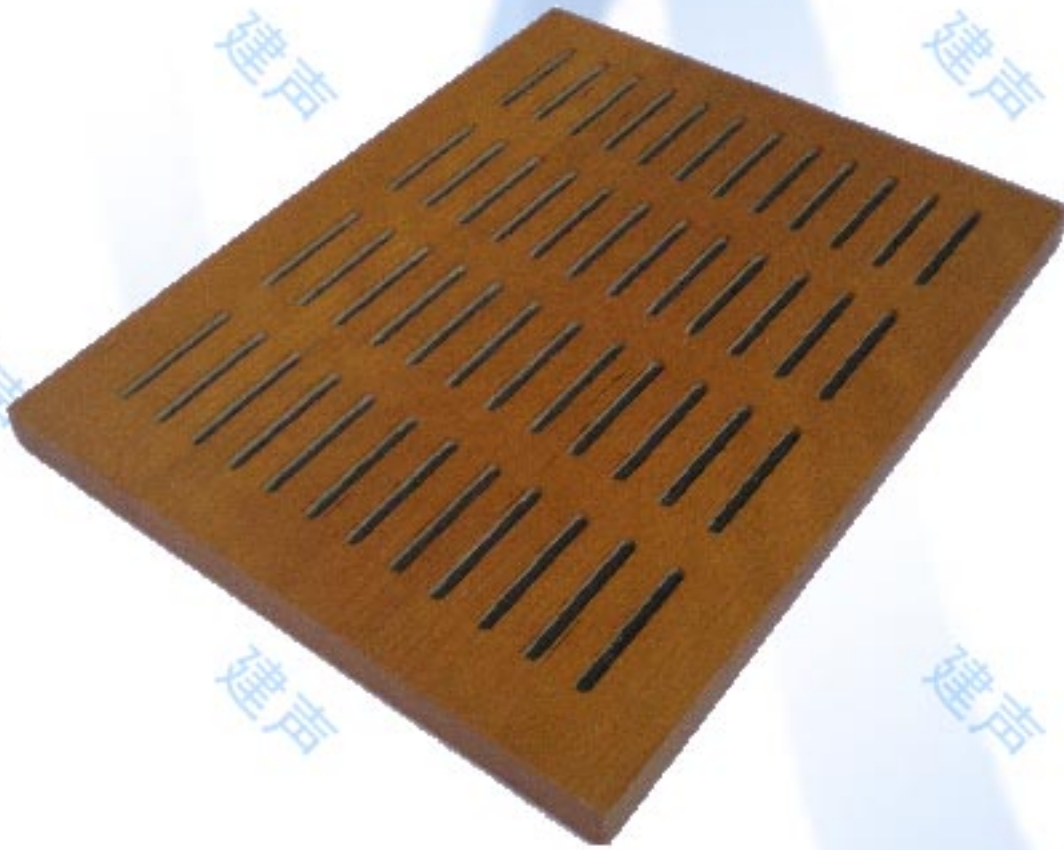


WOODACOUSTICS

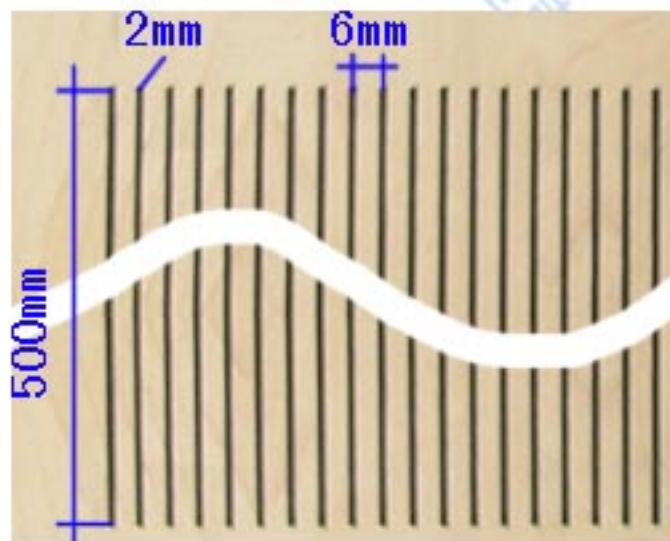
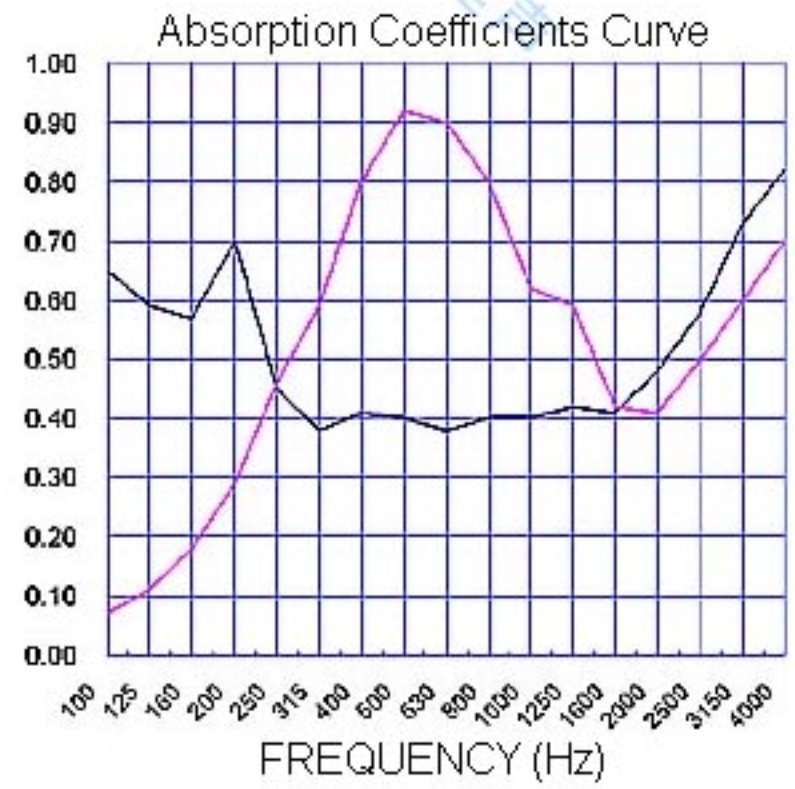
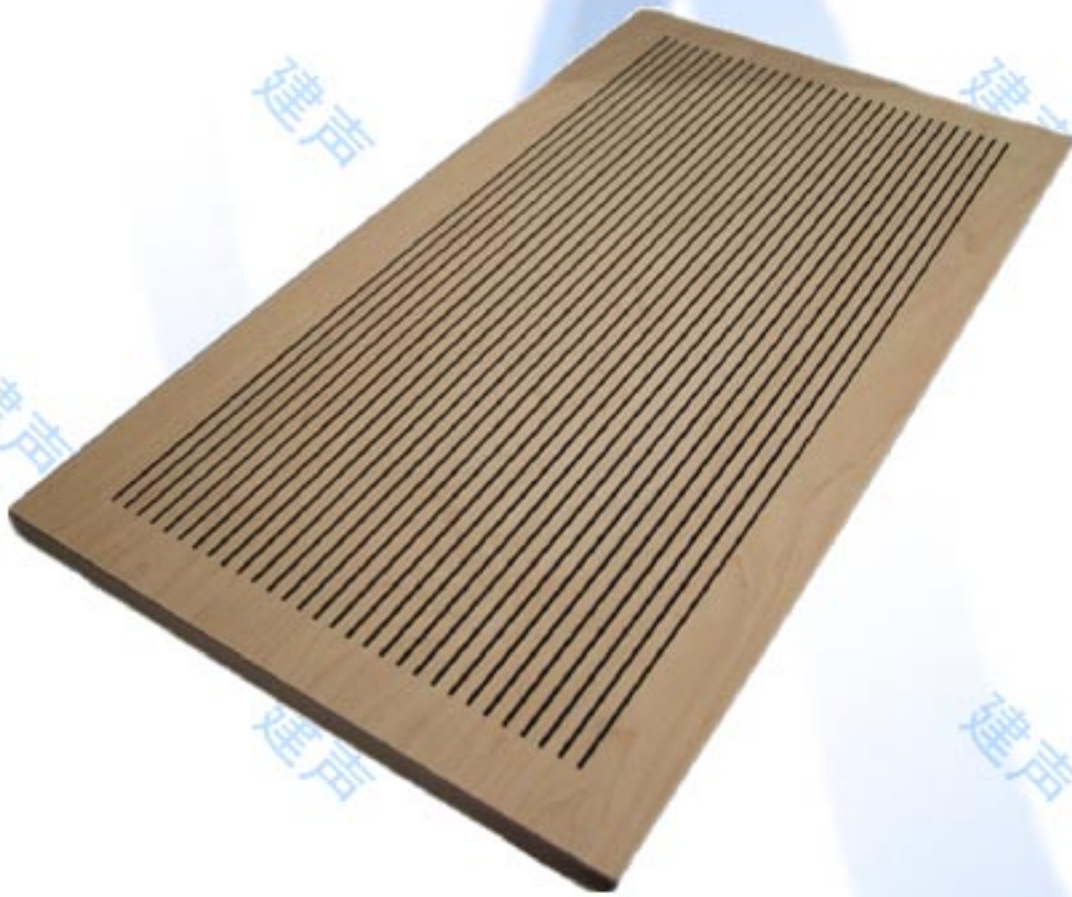
Paneling Type
Slot Perforation
8 / 24 / 90R



Sound Absorber Coefficient	1/3 Center Frequency Analysis (Hz)					
	125	250	500	1K	2K	4K
— Type A	0.20	0.51	0.78	0.92	0.66	0.56
— Type B	0.74	0.80	0.66	0.66	0.60	0.64

WOODACOUSTICS

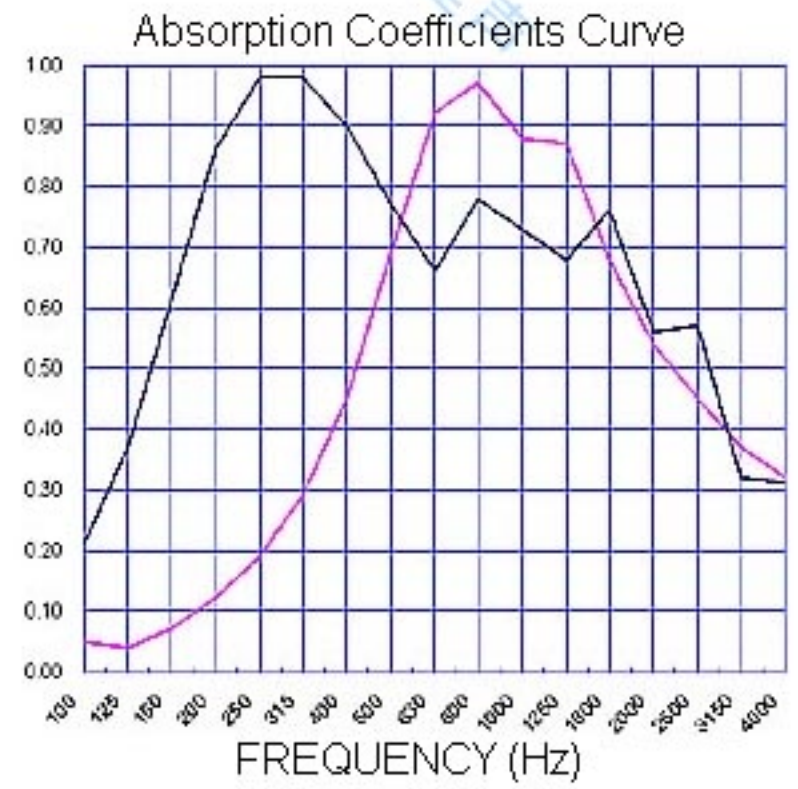
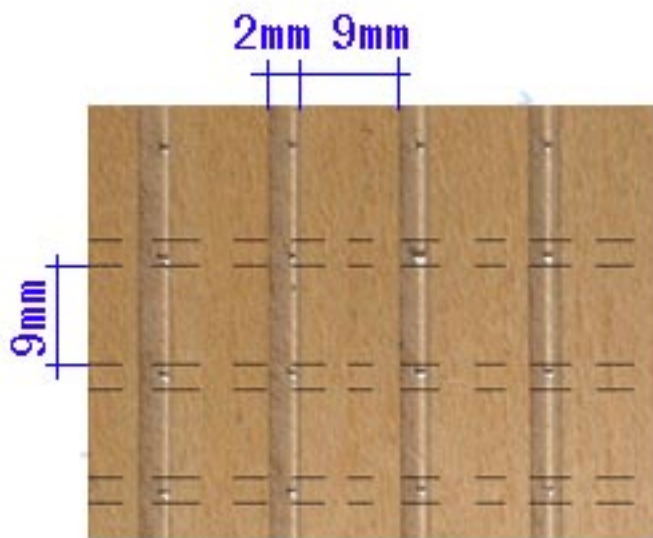
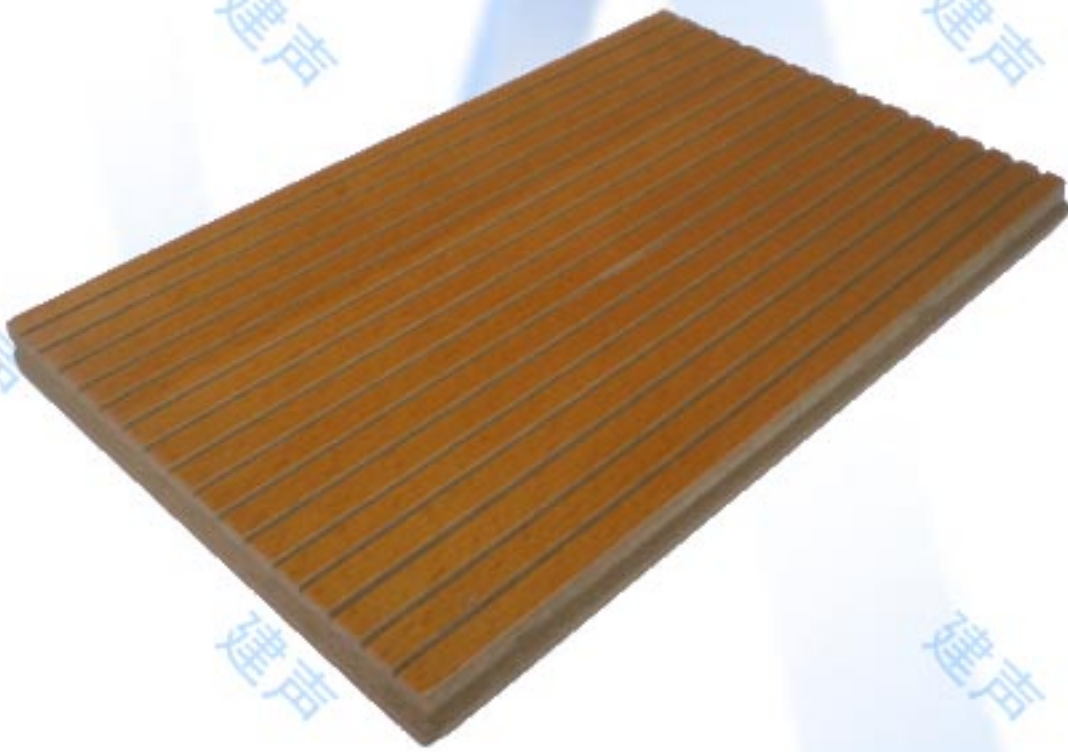
Paneling Type
Slot Perforation
2 / 6 / 500



Sound Absorber Coefficient	1/3 Center Frequency Analysis (Hz)					
	125	250	500	1K	2K	4K
— A型	0.11	0.46	0.92	0.62	0.41	0.70
— B型	0.59	0.45	0.40	0.40	0.48	0.82

WOODACOUSTICS

Paneling Type
Slot Perforation
2 / 9 / V30

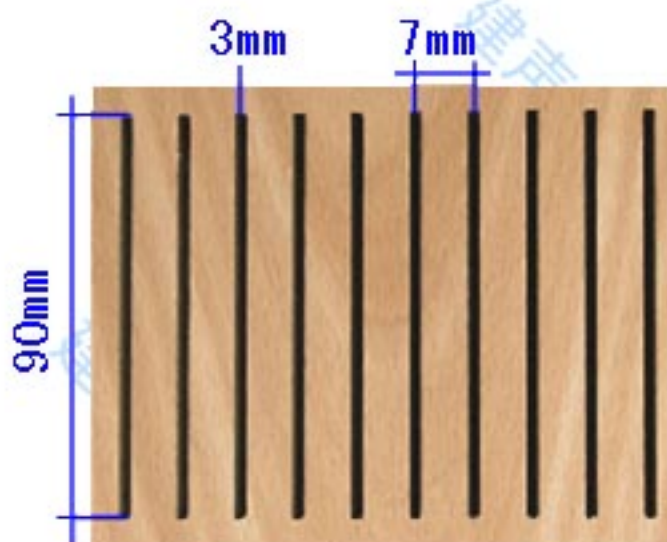


Sound Absorber Coefficient	1/3 Center Frequency Analysis (Hz)					
	125	250	500	1K	2K	4K
Type A	0.04	0.19	0.69	0.88	0.54	0.32
Type B	0.37	0.98	0.77	0.73	0.56	0.31

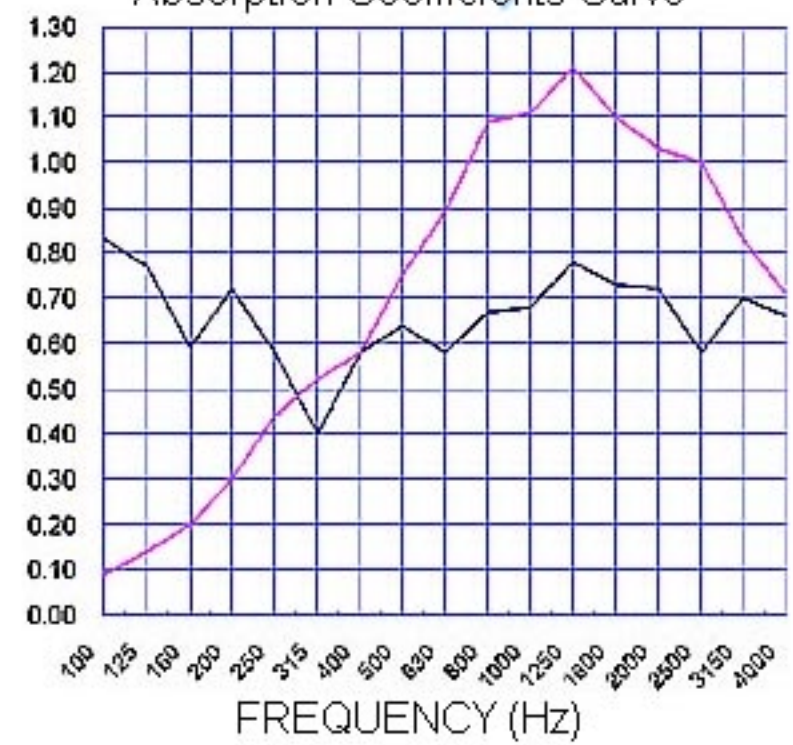


WOODACOUSTICS

Paneling Type
Slot Perforation
3/7/90



Absorption Coefficients Curve



Sound Absorber Coefficient	1/3 Center Frequency Analysis (Hz)					
	125	250	500	1K	2K	4K
— Type A	0.14	0.44	0.75	1.11	1.03	0.71
— Type B	0.77	0.58	0.64	0.68	0.72	0.66